

## Finalmente Induction

Freestanding

Code: 7555 012



### DETAILS

Type Induction Hob

---

Material Stainless steel AISI 316 L with alveolar aluminum support

---

Texture Brushed in line

---

Dimensions (open) 327 x 78 x (h)178 cm

---

Dimensions (closed) 185 x 78 x (h)115 cm

---

Wheels Yes

---

Weight 280 kg

---

Foster integrated products 7341 655 - S4000 Domino Induction Hob 2 zones

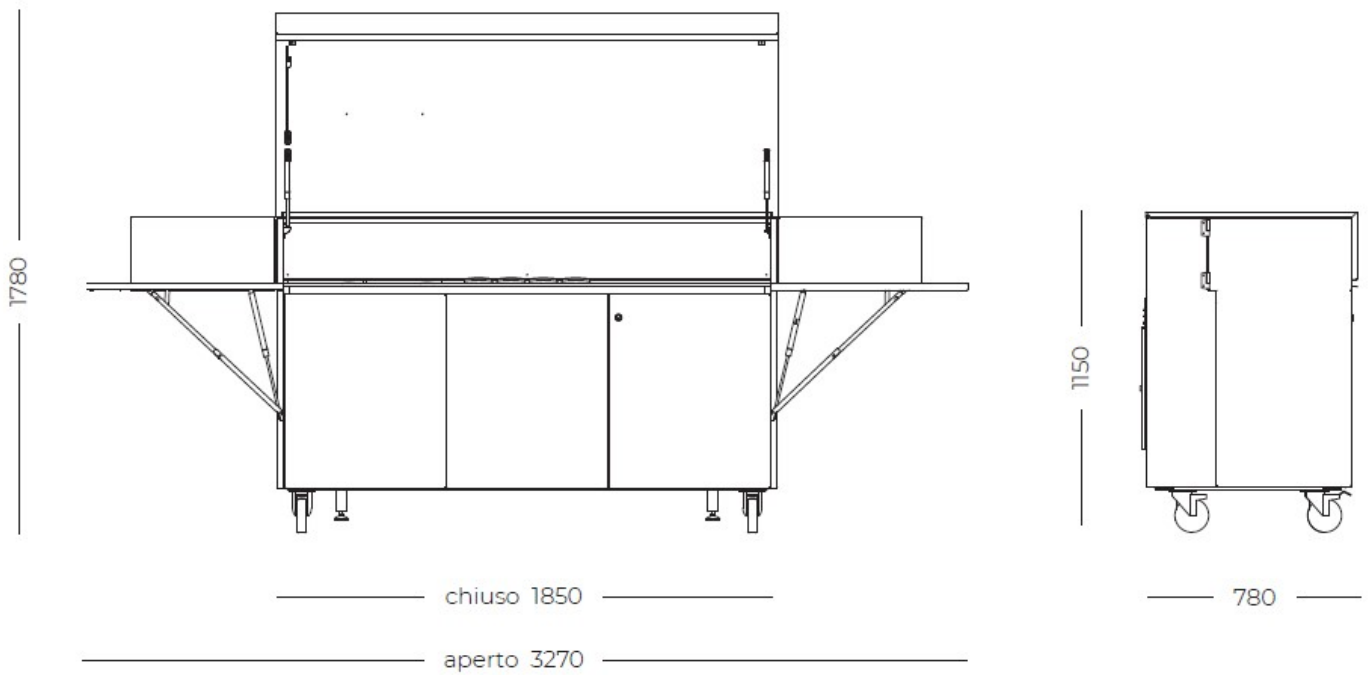
---

---

Framework	Lid with anti-closing locking system 2 opening side shelves 4 wheels (2 with locking system) 2 adjustable feet for laying on the ground
Integrated equipped channel	4 round containers of different depths 2 Retractable socket holders (230V 16A IP66)
Rear features	Electric panel IP66 32A Single-phase wall plug 230V 32A IP66
Front door equipment	60l undercounter refrigerator (class C) Compartment with shelf in HPL / stainless steel Pull-out drawer with differentiated story with 4 compartments
Accessories supplied	Waterproof PVC sheet (650 g / m <sup>2</sup> )
Lighting	3 LED lights (normal with twilight / motion sensor) with rechargeable battery and USB connector

---

## TECHNICAL DATA



## GALLERY

